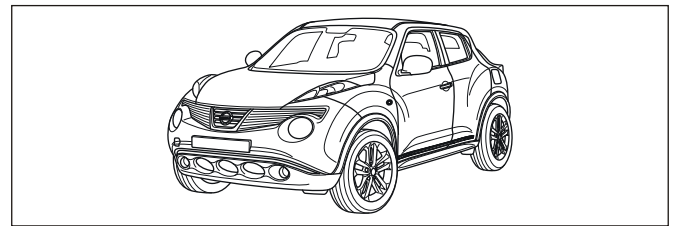


Part Number

KE760-1KA00XX
(XX designates color)

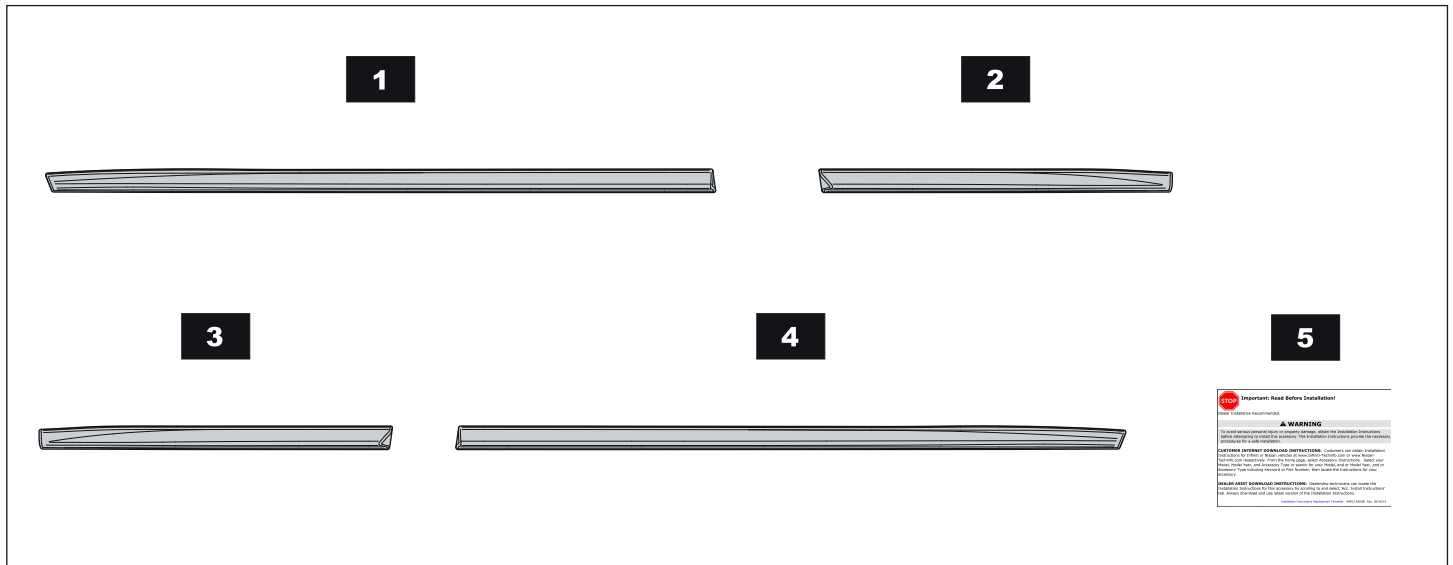
Juke F15
Nissan International S.A.
Made in Italy



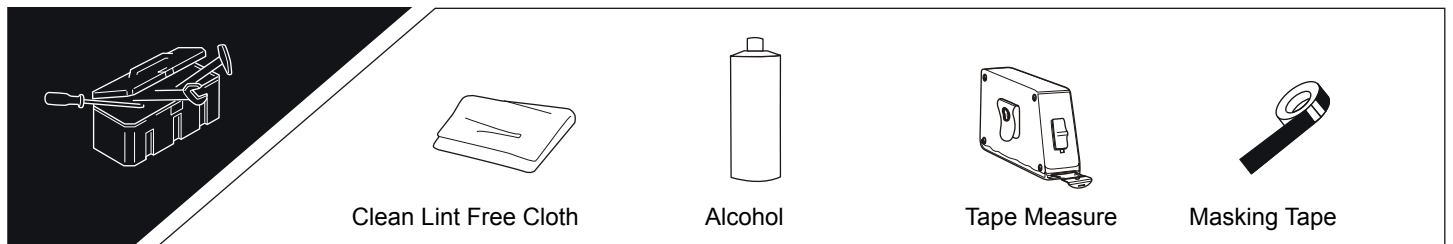
Part Name: Side Door Sills

LIST OF PARTS

| No. | PART NAME | Q.TY |
|-----|---|------|
| 1 | Front LH Side Door Strip Cover | 1 |
| 2 | Rear LH Side Door Strip Cover | 1 |
| 3 | Rear RH Side Door Strip Cover | 1 |
| 4 | Front LH Side Door Strip Cover | 1 |
| 5 | Installation Instruction Replacement Template | 1 |



TOOLS REQUIRED



NOTE: Dealer Installation Recommended

⚠ CAUTION

- Failure to clean mounting surface properly with alcohol will cause poor adhesion of part to vehicle.
- Do not wash or expose vehicle to a wet environment for 24 hrs after installing parts.

15°C, (59°F)

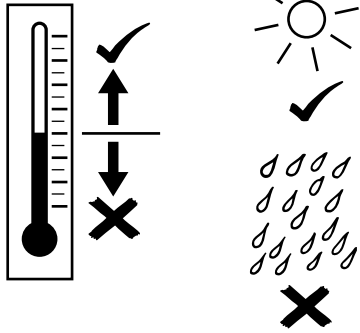


Fig. 1

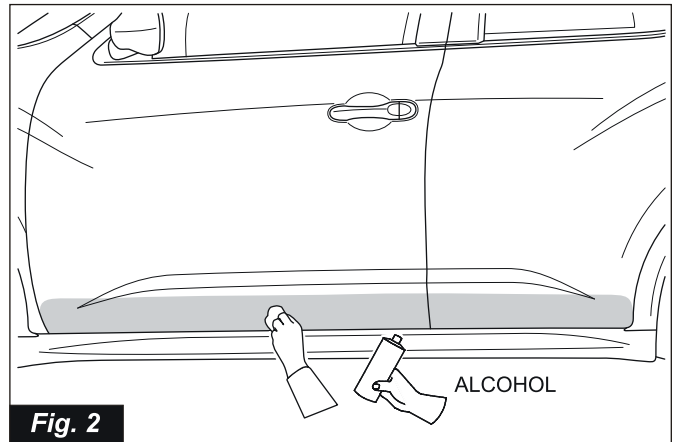


Fig. 2

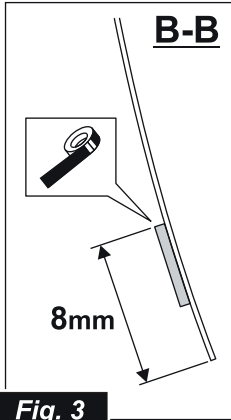


Fig. 3

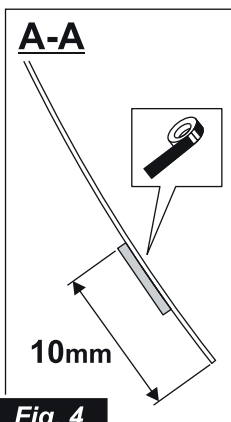
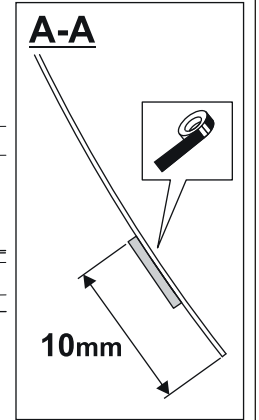
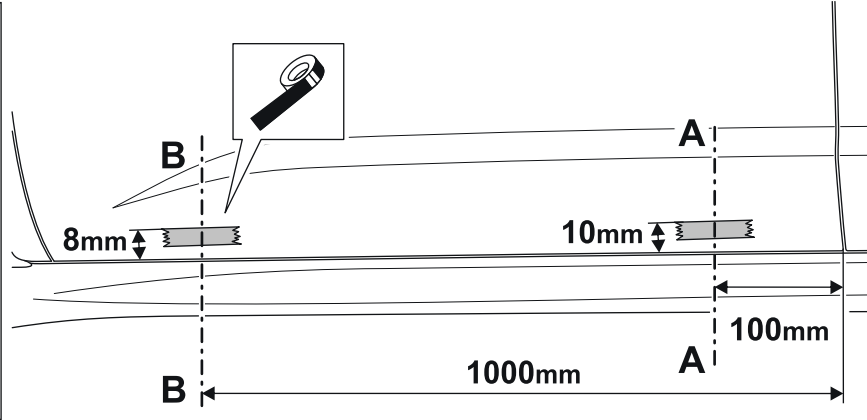


Fig. 4

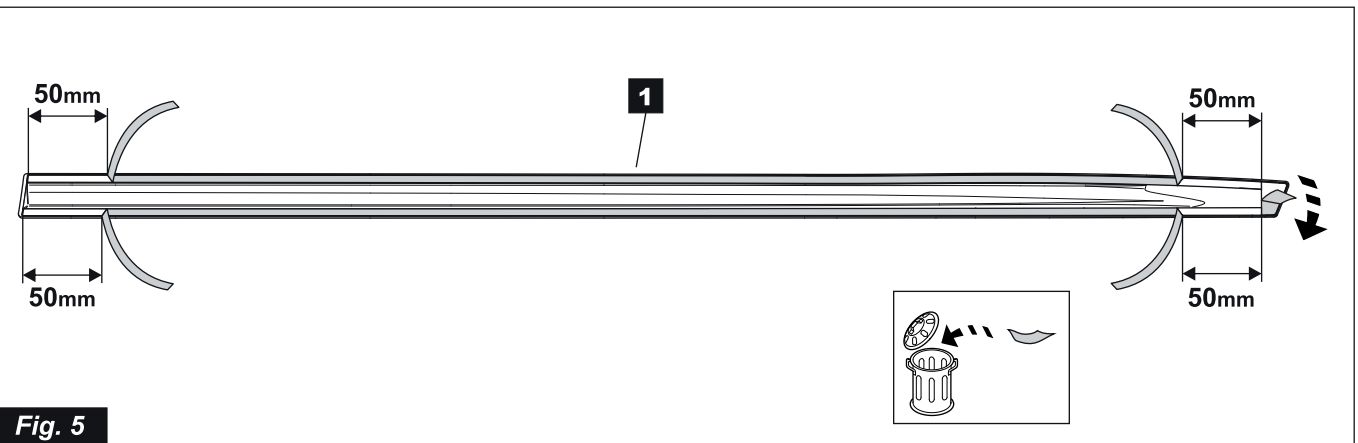
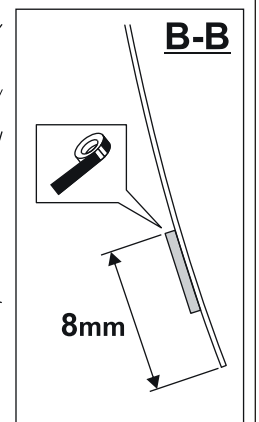
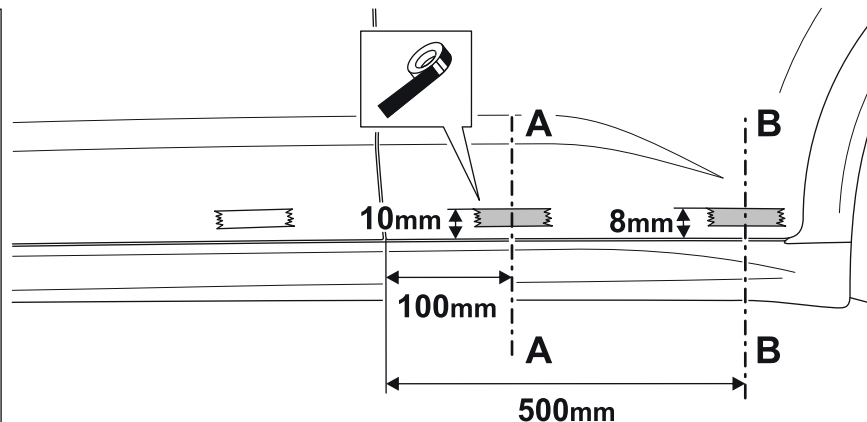
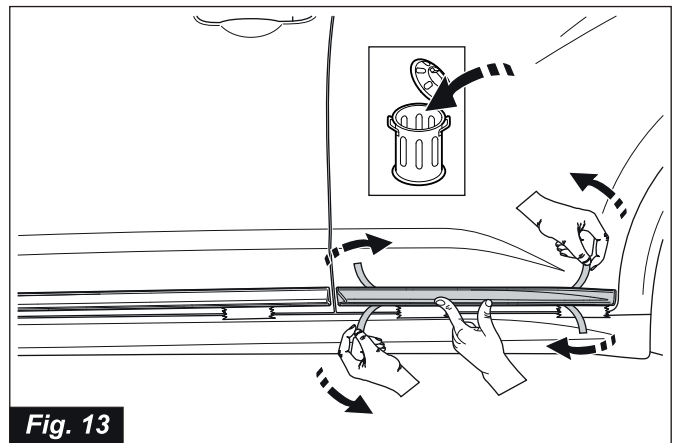
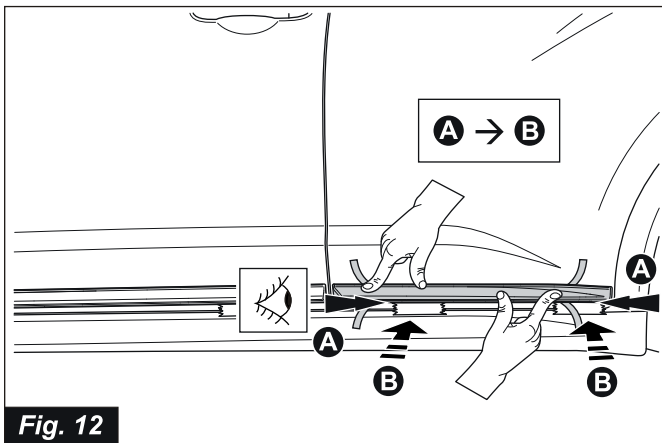
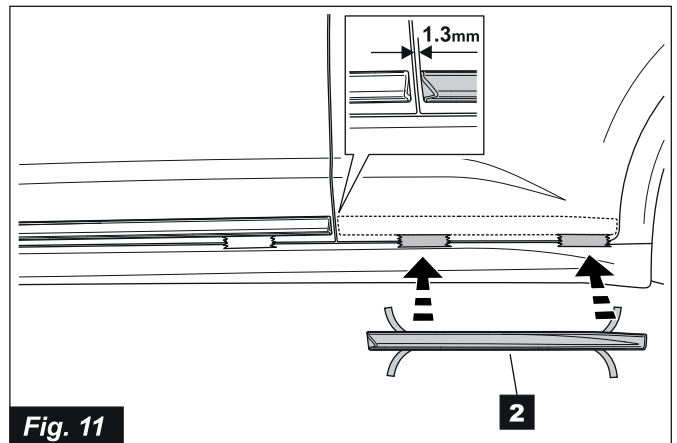
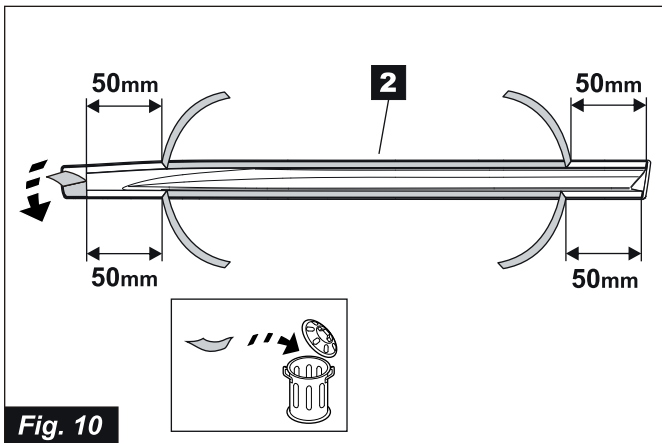
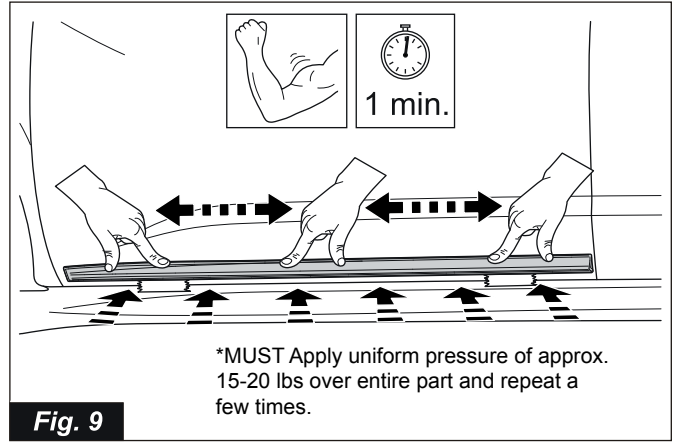
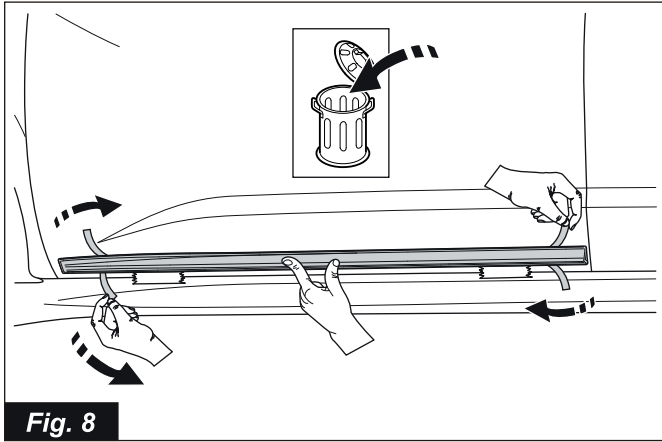
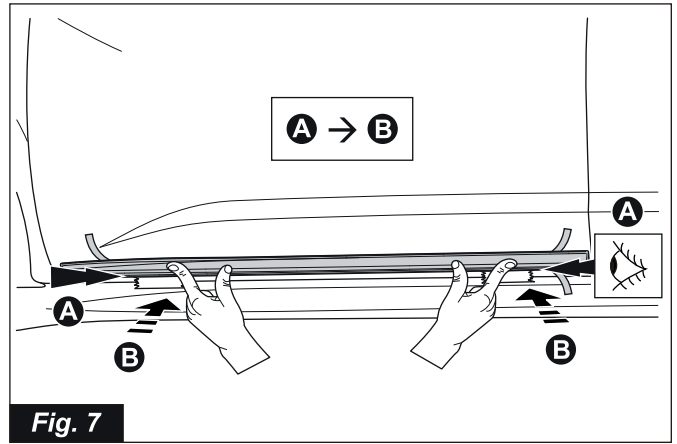
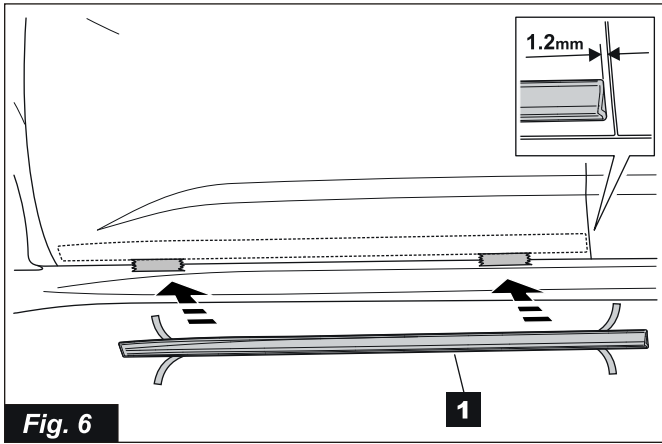


Fig. 5



*MUST Apply uniform pressure of approx. 15-20 lbs over entire part and repeat a few times.

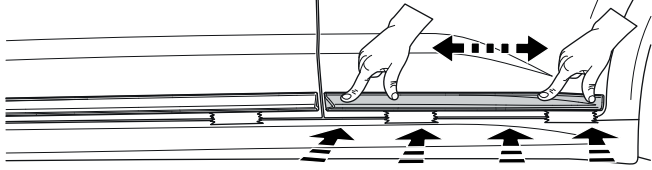
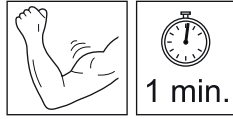


Fig. 14

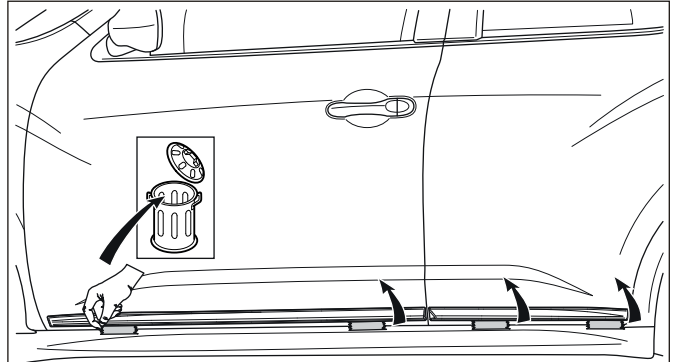


Fig. 15

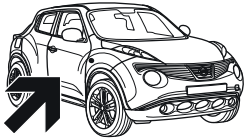


Fig.1→Fig.16

RHS

3

4



Fig.1→Fig.16

LHS

2

1

=

Fig. 16

ACCESSORY CHECK:

- Check and confirm gaps are uniform.
- Clean surrounding area near installed part.

FINAL INSPECTION:

- Verify exterior part is not damaged.
- Remove all tools/items from vehicle.